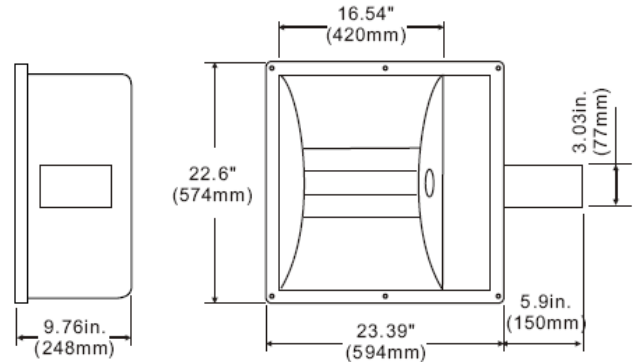




**ASBT – Arealighting Shoe Box
 Thousand Watt - Arm Mounting**
 LED 252, 315, 378 W
 Metal Halide Pulse Start 750 W
 Metal Halide 1000 W
 High Pressure Sodium 1000 W
 Induction 150W – 2x150 W



DESCRIPTION

The ASB is an aesthetic Arealighting Shoe Box for up to LED 378 W, HID 1000 W lamps or Induction 2 x 150W lamps. It comes with a 6" arm for mounting on poles. U.L. listed for wet locations.

APPLICATION

Ideal for lighting parking lots and other large open areas where aesthetics are important and higher mounting heights are available.

CONSTRUCTION

The housing is made of high pressure die cast aluminum and finished in a dark bronze polyester powder coat paint finish for lasting corrosion resistance.

Die formed, anodized aluminum reflector. Silicon rubber gasket for long life.

Clear tempered glass lens, impact and heat resistant.

BALLAST / DRIVER

High Power Factor, Constant Wattage Autotransformer ballasts. Multi Tap (120/208/240/277V) or 480V ballasts. Minimum starting temperature is -20°F (-30°C) for MP, -40°F (-40°C) for HPS. Universal Voltage (120-277V) electronic drivers for LED and Induction.

MOUNTING

6" (150 mm) Die cast aluminum arm with dark bronze polyester powder coat paint finish. Optional 12" or 18" mounting arms.

EPA

Effective Projected Area at 0° tilt is 1.64 (includes mounting arm).

LED DATA

LED Watts	System Watts	Delivered Lumens	HID Equal
252	263	31,130	1000W+
315	320	37,663	1250W+
378	397	45,196	1500W+

CATALOG NUMBER LOGIC

ASBT-

Product Series
 ASB = Arealighting Shoe Box
 Thousand Watt

MH

Lamp Type
 LD = LED
 MP = Metal Halide Pulse Start
 MH = Metal Halide
 HP = High Pressure Sodium
 ID = Induction

1000-

Lamp Wattage
 (LED) 252, 315, 378
 (MP) 750
 (MH) 1000
 (HPS) 1000
 (ID) 150, 200, 2x150

MT-

Voltage
 MT = Multi Tap
 120/208/240/277V
 480V = 480V
 UV = Universal Voltage (120-277 V)

AM-

Mounting
 AM = Arm Mounting Square Poles
 AMR = Arm Mounting Round Poles

L

Lamp
 L = Lamp Included

OPTIONS

ASB-AM12 – 12" mounting arm.
 ASB-AM18 – 18" mounting arm.

PC-XXX – Button Photocell (XXX = specify voltage)
 PCTL-XXX Twist Lock receptacle and photocell (XXX = specify voltage)