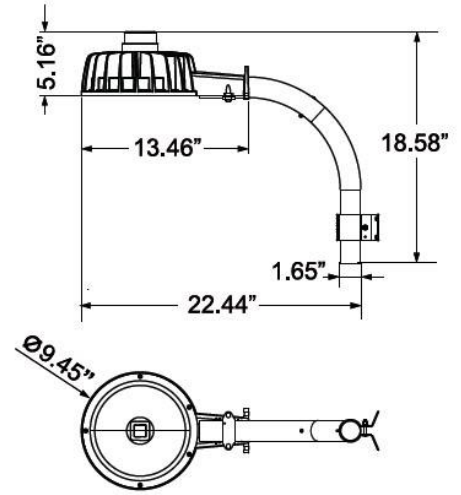




Arm Mount
(included)



Wall Mount



DESCRIPTION

The DD is a complete LED dusk to dawn lighting fixture package including fixture, energy saving LED's, arm mount and twist lock photocell.

Available in LED 35W for comparable performance to HID 100W or LED 50W for comparable performance to HID 175+W. U.L. listed for wet locations.

APPLICATION

Ideal for security lighting, area lighting or parking lot lighting, or can be used as a streetlight in rural areas. The included photocell allows the unit to turn on automatically at dusk and turn off at dawn.

CONSTRUCTION

The housing is made of high pressure die cast aluminum and finished in a dark bronze polyester powder coat paint finish for lasting corrosion resistance.

Injection molded polycarbonate lens. High grade weatherproof silicon rubber gasket for long life.

LED DRIVER

Electronic LED driver available in universal voltage 120-277V input, 50/60 Hz. Operating temperature from -4°F (-20°C) to 95°F (35°C).

PHOTOCELL

Twist lock photocell included.

MOUNTING

Can be wall mounted or arm mounted with the included 90° extension arm and mounting bracket.

LED DATA

System Watts	Delivered Lumens	HID Equal
35	2,575	100W
50	4,272	175+W

CRI = 70+

Color Temperature = 5000 K

Input Voltage = 120-277V, 50/60 Hz

CATALOG NUMBER LOGIC

DD-

Product Series
DD = Dusk to Dawn

LD

Lamp Type
LD = LED

50-

Lamp Wattage
(LED) 35, 50

UV

Voltage
UV = Universal Voltage
120 – 277 V