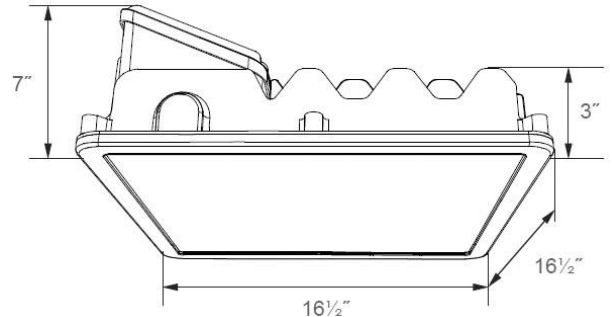
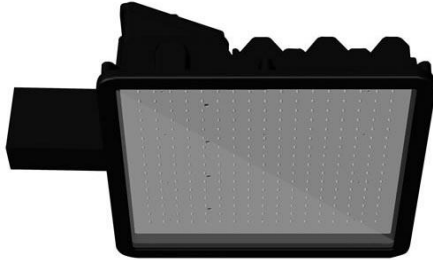




# F16 - Floodlight LED 16" Trunnion, Slipfitter, Yoke or Arm Mounting LED 174, 286 W



### DESCRIPTION

The F16 is a versatile general purpose LED Floodlight / Arealight which provides equivalent performance to HID 400W and 1000W luminaires. It is offered in Type V optics as well as Type III optics for roadways. Mounting options include Trunnion, Slipfitter, Yoke and Arm mounts. U.L. listed for wet locations.

### APPLICATION

Suitable for lighting large open areas such as parking lots, storage yards, construction sites, marinas, industrial areas and around buildings. The combination of Type III optics and Arm mounting makes the product comparable to arealighting shoebox luminaires.

### CONSTRUCTION

The housing is made of high pressure die cast aluminum and finished in a dark bronze polyester powder coat paint finish for lasting corrosion resistance. Clear tempered glass lens, impact and heat resistant.

### LED DRIVER

Electronic LED driver in high power factor, universal voltage 120-277V, 50/60Hz. Dimmable driver with 0-10V input.

### PHOTOCELL

Includes a twist lock receptacle with a shorting cap. For automatic operation, order photocell PCTL for 120-277V

### MOUNTING

Options include Trunnion (small U bracket), die cast aluminum Slipfitter, Yoke (large U bracket) and Arm mounts in 6, 10 and 12 inch lengths.

### LED DATA

LED Watts	System Watts	Delivered Lumens	HID Equal
174 T5	187	16,964	400W+
174 T3	187		400W+
286 T5	302	25,462	1000W
286 T3	302		1000W

## CATALOG NUMBER LOGIC

**F16-**

**Product Series**  
F16 = Floodlight  
LED 16"

**LD**

**Lamp Type**  
LD = LED

**174-**

**Lamp Wattage**  
(LED) 174, 286

**UV-**

**Voltage**  
UV = Universal Voltage  
(120-277 V)

**SF-**

**Mounting**  
TR = Trunnion  
SF = Slipfitter  
YK = Yoke  
AM6 = Arm Mount 6"  
AM10 = Arm Mount 10"  
AM12 = Arm Mount 12"

**T3**

**Lamp**  
Blank = Type V  
distribution  
T3 = Type III  
distribution

## OPTIONS

PCTL – Photocell Twist Lock (120-277V operation)