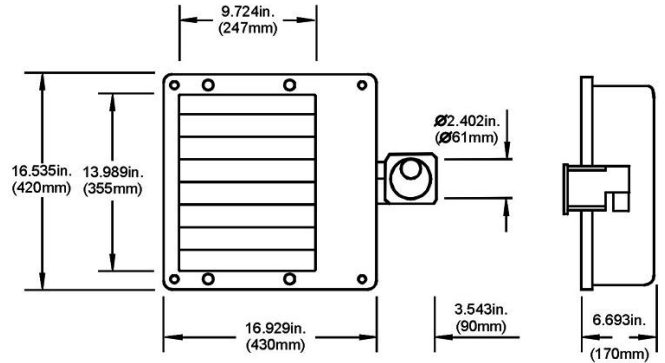




Lumenform

FH - Floodlight High Wattage Slipfitter, Trunnion or Yoke Mounting

LED 108, 158, 210 W
Metal Halide Pulse Start 200 – 400 W
High Pressure Sodium 150 – 400 W
Induction 80 - 150 W



DESCRIPTION

The FH is a general purpose Floodlight for up to LED 210W lamps, HID 400W lamps or Induction 150W lamps. It has a wide beam distribution pattern allowing it to be used in almost any floodlighting application. U.L. listed for wet locations.

APPLICATION

Suitable for lighting large open areas such as parking lots, storage yards, construction sites, marinas, industrial areas and around buildings.

CONSTRUCTION

The housing is made of high pressure die cast aluminum and finished in a dark bronze polyester powder coat paint finish for lasting corrosion resistance.

Die formed, anodized aluminum reflector.
Silicon rubber gasket for long life.
Clear tempered glass lens, impact and heat resistant.

BALLAST / DRIVER

High Power Factor, Constant Wattage Autotransformer ballasts. Multi Tap (120/208/240/277V) or 480V ballasts. Minimum starting temperature is -20°F (-30°C) for MP, -40°F (-40°C) for HPS. Universal Voltage (120-277V) electronic drivers for LED and Induction.

MOUNTING

Die cast aluminum slipfitter (shown) with dark bronze polyester powder coat paint finish. For use with 2 3/8" - 3" O.D. tenons. Also available in Trunnion and Yoke versions.

EPA

Effective Projected Area at 45° tilt is 1.50

LED DATA

LED Watts	System Watts	Delivered Lumens	HID Equal
108	133	12,913	400W
158	178	18,831	750W
210	225	24,500	1000W

CATALOG NUMBER LOGIC

FH-

Product Series
FH = Floodlight
High Wattage

MP

Lamp Type
LD = LED
MP = Metal Halide
Pulse Start
HP = High Pressure
Sodium
ID = Induction

400-

Lamp Wattage
(LED) 108, 158, 210
(MP) 200, 250, 320, 350, 400
(HPS) 150, 250, 400
(ID) 80, 100, 120, 150

MT-

Voltage
MT = Multi Tap
120/208/240/277V
480V = 480V
UV = Universal Voltage
(120-277 V)

SF-

Mounting
SF = Slipfitter
TR = Trunnion
YK = Yoke

L

Lamp
L = Lamp
Included

OPTIONS

FH-WG – Wire Guard
FH-GS – Glare Shield

FH-VS – Vandal Shield
FH-BF – Full Baffle

PC-XXX – Button Photocell (XXX = specify voltage)
PCTL-XXX Twist Lock receptacle and photocell (XXX = specify voltage)