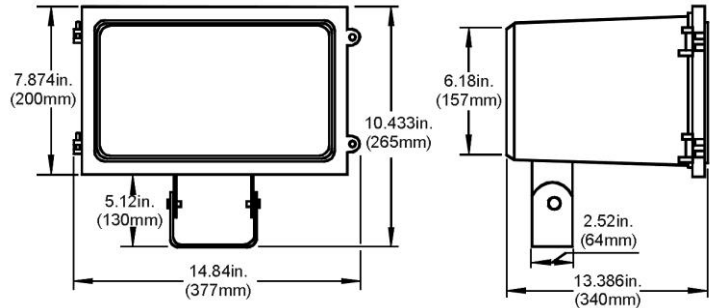




**FHM - Floodlight High Wattage
Micro style
Slipfitter or Trunnion Mounting**
LED 63, 95, 126 W
Metal Halide Pulse Start 200 – 400 W
High Pressure Sodium 150 – 400 W
Induction 40 - 100 W



DESCRIPTION

The FHM is a general purpose Floodlight for up to LED 126W lamps, HID 400W lamps or Induction 100W lamps in a compact size. It has a wide beam distribution pattern allowing it to be used in almost any floodlighting application. U.L. listed for wet locations.

APPLICATION

Suitable for lighting large open areas such as parking lots, storage yards, construction sites, marinas, industrial areas and around buildings.

CONSTRUCTION

The housing is made of high pressure die cast aluminum and finished in a dark bronze polyester powder coat paint finish for lasting corrosion resistance. Die formed, anodized aluminum reflector. Silicon rubber gasket for long life. Clear tempered glass lens, impact and heat resistant.

BALLAST / DRIVER

High Power Factor, Constant Wattage Autotransformer ballasts. Multi Tap (120/208/240/277V) or 480V ballasts. Minimum starting temperature is -20°F (-30°C) for MP, -40°F (-40°C) for HPS. Universal Voltage (120-277V) electronic drivers for LED and Induction.

MOUNTING

Die cast aluminum slipfitter for use with 2 3/8" - 3" O.D. tenons or die formed steel trunnion (shown). Both versions have dark bronze polyester powder coat paint finish.

EPA

Effective Projected Area at 45° tilt is 0.90

LED DATA

LED Watts	System Watts	Delivered Lumens	HID Equal
63	77	7,532	250W
95	117	11,300	400W
126	150	15,065	450W

CATALOG NUMBER LOGIC

FHM-

Product Series

FHM = Floodlight
High Wattage
Micro style

MP

Lamp Type

LD = LED
MP = Metal Halide
Pulse Start
HP = High Pressure
Sodium
ID = Induction

400-

Lamp Wattage

(LED) 63, 95, 126
(MP) 200, 250, 320, 350, 400
(HPS) 150, 250, 400
(ID) 40, 80, 100

MT-

Voltage

MT = Multi Tap
120/208/240/277V
480V = 480V
UV = Universal Voltage
(120-277 V)

TR-

Mounting

SF = Slipfitter
TR = Trunnion

L

Lamp

L = Lamp
Included

OPTIONS

FHM-WG – Wire Guard
FHM-GS – Glare Shield
FHM-VS – Vandal Shield

PC-XXX – Button Photocell (XXX = specify voltage)
FHM-SWB (Swivel Wall Bracket. Must be used with TR mounting)