



Lumenform

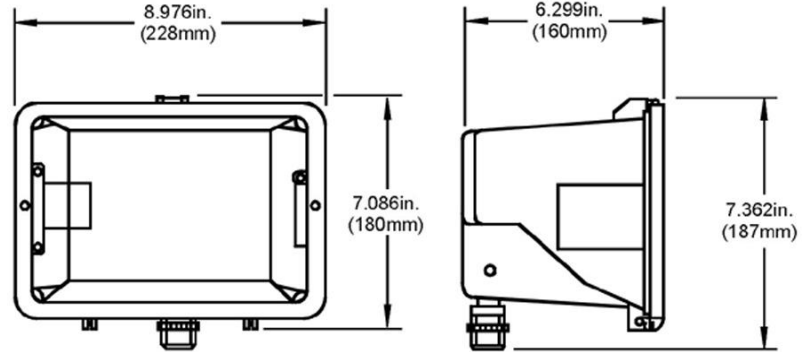
FL - Floodlight Low Wattage Knuckle Mounting

LED 22 W

Metal Halide Pulse Start 50 – 100 W

High Pressure Sodium 35 – 150 W

Fluorescent Quad Tube 1 x 26 - 42 W



DESCRIPTION

The FL is a compact floodlight for lower wattages. U.L. listed for wet locations.

APPLICATION

Ideal for all low wattage floodlighting applications in commercial, industrial and residential areas. Can be used for floodlighting signs, objects and for security lighting around buildings. An energy saving alternative to twin PAR lamp fixtures.

HOUSING

The housing is made of high pressure die cast aluminum and finished in a dark bronze polyester powder coat paint finish for lasting corrosion resistance. Housing is slightly deeper for MP 70-100W.

CONSTRUCTION

The housing is made of high pressure die cast aluminum and finished in a dark bronze polyester powder coat paint finish for lasting corrosion resistance. Housing is slightly deeper for MP 70-100W.

BALLAST

High Power Factor, Constant Wattage Autotransformer ballasts, Multi Tap (120/208/240/277V) or reactor 120V ballasts for HPS. Minimum starting temperature is -20°F (-30°C) for MP, -40°F (-40°C) for HPS. Electronic ballasts for Fluorescent 1x26, 32 or 42W in Dual Tap (120/277V). Universal Voltage (120-277V) electronic drivers for LED.

MOUNTING

Versatile knuckle mount allows mounting on walls, floors and into 1/2" NPS outlet boxes.

REFLECTOR

Die formed, anodized aluminum.

LENS

Clear tempered glass, impact and heat resistant.

LED DATA

LED Wattage = 22 W
Total Wattage = 25 W

LED Lumens = 2719 lumens
Delivered Lumens = 2288 lumens

CRI = 72
Color Temperature = 5000 K

Input Voltage = 120-277 V, 50/60 Hz

CATALOG NUMBER LOGIC

FL-

Product Series
FL = Floodlight
Low Wattage

HP

Lamp Type
LD = LED
MP = Metal Halide
Pulse Start
HP = High Pressure
Sodium
FL = Fluorescent
quad tube

150-

Lamp Wattage
(LED) 22
(MP) 50, 70, 100
(HPS) 35, 50, 70, 100, 150
(FL) 126 = 1 x 26W
132 = 1 x 32W
142 = 1 x 42W

120V-

Voltage
MT = Multi Tap
120/208/240/277V
DT = Dual Tap 120/277 V
120V = 120V
UV = Universal Voltage
120 – 277 V

KM-

Mounting
KM = Knuckle
Mounting

L

Lamp
L = Lamp
Included