



Lumenform

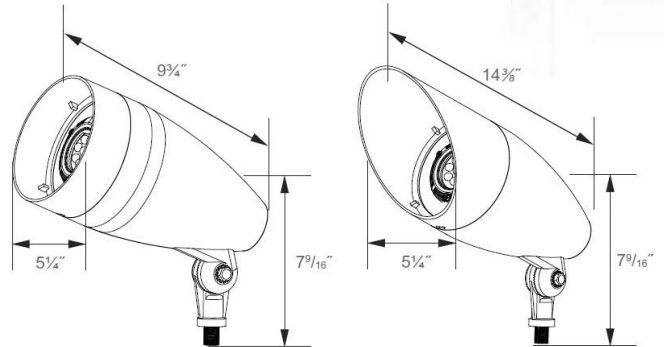
FLPB - Floodlight LED PAR Bullet Knuckle Mounting, Hood or Visor, Flood or Spot optics LED 12 W



FLPB with Hood



FLPB with Visor



DESCRIPTION

The FLPB is a traditional PAR bullet with cutting edge LED technology. It is available with either a Hood or Visor and in either Flood (115°) or Spot (30°) optics. It utilizes a 12W LG Innotek outdoor LED module and is comparable to traditional HID 70 – 100W in performance. U.L. listed for wet locations.

APPLICATION

Suitable for landscaping applications or to highlight objects such as signage, flags or foliage.

HOUSING

The housing is made of high pressure die cast aluminum and finished in either a black or white polyester powder coat paint finish for lasting corrosion resistance. LED modules are dust and water jet tight rated at IP67.

LED DRIVER

Electronic LED driver in high power factor, universal voltage 120-277V, 50/60Hz. Minimum starting temperature is -20°F (-30°C).

MOUNTING

Versatile knuckle mount allows mounting on walls, floors and into 1/2" NPS outlet boxes.

PERFORMANCE

LED Wattage = 12 W
Total Wattage = 13 W

Flood optics = 1345 delivered lumens
Spot optics = 1296 delivered lumens

LED Brand = LG Innotek
LED Quantity = 1 x 12W module

CRI = 70+
Color Temperature = 5700 K

Input Voltage = 120-277V, 50/60 Hz

Comparable to HID = 70 – 100 W

CATALOG NUMBER LOGIC

FLPB-

Product Series

FLPB = Floodlight LED PAR Bullet

LD

Lamp Type

LD = LED

12-

Lamp Wattage

(LED) 12 W

UV-

Voltage

UV = Universal Voltage (120-277 V)

KM-

Mounting

KM = Knuckle Mount

HF-

Shroud / Optics

HF = Hood with Flood optics
HS = Hood with Spot optics
VF = Visor with Flood optics
VS = Visor with Spot optics

BLK

Color

BLK = Black
WHT = White

ACCESSORIES

FLPTF - Floodlight Pole Top Fitter. Adapter for mounting fixtures with 1/2" threaded knuckles to 2 3/8" pole top tenons.

FLSTK - Floodlight Stake. Ground stake for mounting fixtures with 1/2" threaded knuckles. Includes a wiring compartment.