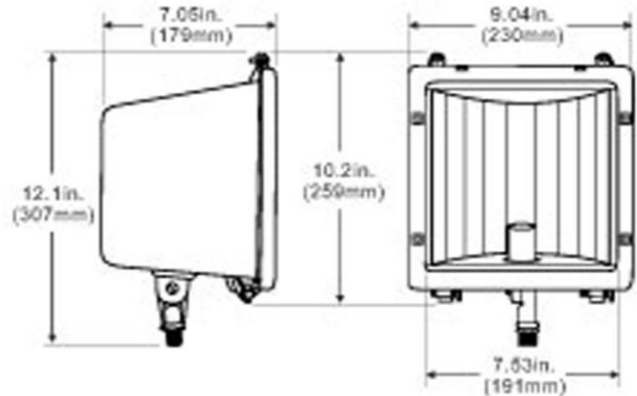




FM2 - Floodlight Medium Wattage Knuckle Mounting

LED 37, 42, 63 W
Metal Halide Pulse Start 50 – 150 W
High Pressure Sodium 35 – 150 W
Fluorescent Quad Tube 2 x 26 - 42 W



DESCRIPTION

The FM2 is a rugged and compact floodlight for up to LED 63W lamps, HID 150W lamps or Fluorescent 2 x 42W lamps. U.L. listed for wet locations.

APPLICATION

Suitable for applications such as facades, signs, landscape lighting and security lighting around buildings.

CONSTRUCTION

The housing is made of high pressure die cast aluminum and finished in a dark bronze polyester powder coat paint finish for lasting corrosion resistance.

Die formed, anodized aluminum reflector available in wide beam or spot reflector. Silicon rubber gasket for long life. Clear tempered glass lens, impact and heat resistant.

MOUNTING

Versatile knuckle mount allows mounting on walls, floors and into ½" NPS outlet boxes.

LED DATA

LED Watts	System Watts	Delivered Lumens	HID Equal
37	41	3,390	150W
42	50	5,319	200W
63	77	7,532	250W

BALLAST / DRIVER

High Power Factor, Constant Wattage Autotransformer ballasts. Multi Tap (120/208/240/277V) or 480V ballasts. Reactor 120V ballasts for HPS. Minimum starting temperature is -20°F (-30°C) for MP, -40°F (-40°C) for HPS. Universal Voltage (120-277V) electronic drivers for LED.

CATALOG NUMBER LOGIC

FM2-

Product Series

FM2 = Floodlight Medium Wattage

MP

Lamp Type

LD = LED
MP = Metal Halide Pulse Start
HP = High Pressure Sodium
FL = Fluorescent quad tube

150-

Lamp Wattage

(LED) 37, 42, 63
(MP) 50, 70, 100, 150
(HPS) 35, 50, 70, 100, 150
(FL) 226 = 2 x 26W
232 = 2 x 32W
242 = 2 x 42W

MT-

Voltage

MT = Multi Tap
120/208/240/277V
UV = Universal Voltage (120-277 V)
120V = 120V
480V = 480V

KM-

Mounting

KM = Knuckle Mounting

SP-

Reflector

Blank = Wide Beam
SP = Spot Reflector

L

Lamp

L = Lamp Included