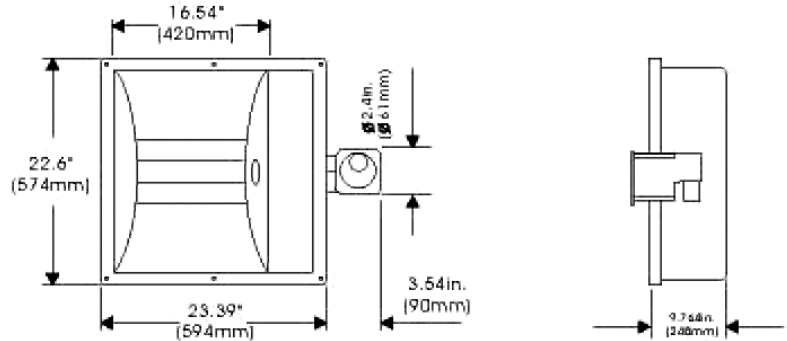




# FT - Floodlight Thousand Watt Slipfitter, Trunnion or Yoke Mounting

LED 252, 315, 378 W  
Metal Halide Pulse Start 750 W  
Metal Halide 1000 W  
High Pressure Sodium 1000 W  
Induction 150W – 2x150 W



### DESCRIPTION

The FT is a general purpose Floodlight for up to LED 378 W, HID 1000 W lamps or Induction 2 x 150W lamps. It has a wide beam distribution pattern allowing it to be used in almost any floodlighting application where a large amount of light is needed. U.L. listed for wet locations.

### APPLICATION

Suitable for lighting large open areas such as parking lots, storage yards, construction sites, marinas, industrial areas and around buildings. Can also be used for lighting large facades.

### CONSTRUCTION

The housing is made of high pressure die cast aluminum and finished in a dark bronze polyester powder coat paint finish for lasting corrosion resistance. Die formed, anodized aluminum reflector. Silicon rubber gasket for long life. Clear tempered glass lens, impact and heat resistant.

### BALLAST / DRIVER

High Power Factor, Constant Wattage Autotransformer ballasts. Multi Tap (120/208/240/277V) or 480V ballasts. Minimum starting temperature is -20°F (-30°C) for MP and MH, -40°F (-40°C) for HPS. Universal Voltage (120-277V) electronic drivers for LED and Induction.

### MOUNTING

Die cast aluminum slipfitter (shown) with dark bronze polyester powder coat paint finish. For use with 2 3/8" - 3" O.D. tenons. Also available in Trunnion and Yoke versions.

### EPA

Effective Projected Area at 45° tilt is 2.74

### LED DATA

LED Watts	System Watts	Delivered Lumens	HID Equal
252	263	31,130	1000W+
315	320	37,663	1250W+
378	397	45,196	1500W+

## CATALOG NUMBER LOGIC

**FT-**

**Product Series**  
FT = Floodlight  
Thousand Watt

**MH**

**Lamp Type**  
LD = LED  
MP = Metal Halide  
Pulse Start  
MH = Metal Halide  
HP = High Pressure  
Sodium  
ID = Induction

**1000-**

**Lamp Wattage**  
(LED) 252, 315, 378  
(MP) 750  
  
(MH) 1000  
(HPS) 1000  
  
(ID) 150, 200, 2x150

**MT-**

**Voltage**  
MT = Multi Tap  
120/208/240/277V  
480V = 480V  
UV = Universal Voltage  
(120-277 V)

**SF-**

**Mounting**  
SF = Slipfitter  
TR = Trunnion  
YK = Yoke

**L**

**Lamp**  
L = Lamp  
Included

### OPTIONS

FT-WG – Wire Guard  
FT-GS – Glare Shield

FT-VS – Vandal Shield  
FT-BF – Full Baffle

PC-XXX – Button Photocell (XXX = specify voltage)  
PCTL-XXX Twist Lock receptacle and photocell (XXX = specify voltage)