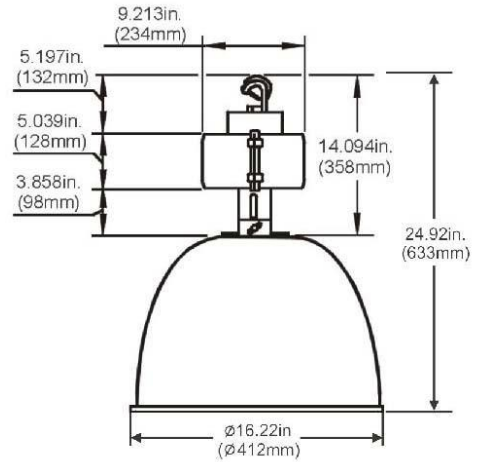
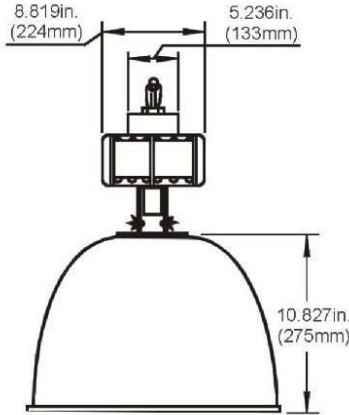




# Lumenform

**HB - High Bay Acrylic Refractor**  
**Metal Halide Pulse Start 200 – 400 W**  
**High Pressure Sodium 150 – 400 W**  
**Induction 80 - 120 W**



**DESCRIPTION**

The HB with an Acrylic Refractor is a photometrically superior High Bay for commercial and industrial areas requiring high levels of vertical illumination. U.L. damp location listed.

**APPLICATION**

Ideal for supermarkets, warehouse stores, auto showrooms and any retail outlet with mounting heights of 20' (6 m) or more.

**HOUSING**

The housing is made of high pressure die cast aluminum and finished in a white polyester powder coat paint finish for lasting corrosion resistance.

**BALLAST**

High Power Factor, Constant Wattage Autotransformer ballasts. Multi Tap (120/208/240/277V) or 480V ballasts. Minimum starting temperature is -20°F (-30°C) for MP, -40°F (-40°C) for HPS.

**SOCKET**

Mogul base, 4KV pulse rated porcelain socket.

**MOUNTING**

Junction box and hook with safety screw included. 3/4" threaded opening on the top of the junction box for pendant mounting.

**REFRACTOR**

16" or 22" prismatic acrylic. Adjustable positions for choice of distribution patterns.

**CATALOG NUMBER LOGIC**

**HB-**

**Product Series**  
 HB = High Bay

**MP**

**Lamp Type**  
 MP = Metal Halide Pulse Start  
 HP = High Pressure Sodium  
 ID = Induction

**400-**

**Lamp Wattage**  
 (MP) 200, 250, 320, 350, 400  
 (HPS) 150, 250, 400  
 (ID) 80, 120

**MT-**

**Voltage**  
 MT = Multi Tap  
 (120/208/240/277V)  
 120V = 120V  
 277V = 277V  
 480V = 480V

**AC16-**

**Refractor**  
 AC16 = Acrylic 16"  
 AC22 = Acrylic 22"

**L**

**Lamp**  
 L = Lamp Included

**OPTIONS**

Q – Quartz restrike system with quartz restrike lamp  
 QT – Quartz restrike system with time delay, with quartz restrike lamp.  
 3CP-XXX – 3 foot Cord and NEMA Plug, XXX = specify voltage, 120 or 277V  
 WG16 or WG22 – Wire Guard 16" or 22"  
 FG16 or FG22 – Flat Glass 16" or 22" with clamp band for mounting. Tempered glass.  
 F1-XXX or F2-XXX – Single or Double Fuse. XXX = specify voltage.  
 SC3 – Safety Cable 3'.