



# Lumenform

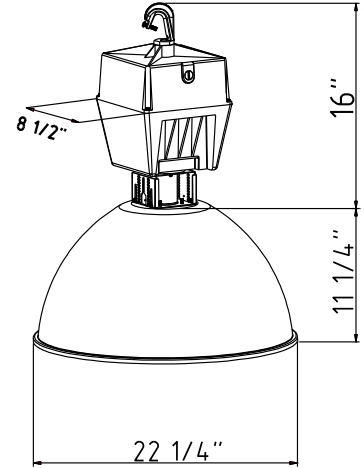
## HBT - High Bay Thousand Watt

Metal Halide Pulse Start 750 - 1000 W

Metal Halide 1000 W

High Pressure Sodium 1000 W

Induction 80 W



### DESCRIPTION

The HBT is a versatile High Bay fixture for general purpose industrial lighting needs in up to 1000W applications. U.L. damp location listed.

### APPLICATION

Suitable for use in factories, warehouses and other areas that have high mounting heights and require large amounts of light.

### HOUSING

The housing is made of high pressure die cast aluminum and finished in a white polyester powder coat paint finish for lasting corrosion resistance.

### BALLAST

High Power Factor, Constant Wattage Autotransformer ballasts. Multi Tap (120/208/240/277V) or 480V ballasts. Minimum starting temperature is -20°F (-30°C) for MP and MH, -40°F (-40°C) for HPS.

### SOCKET

Mogul base, 4KV pulse rated porcelain socket.

### MOUNTING

Hook with safety screw included.

### REFLECTOR / REFRACTOR

22" anodized aluminum (shown) or 22" prismatic acrylic. Adjustable positions for choice of distribution patterns.

## CATALOG NUMBER LOGIC

**HBT-**

### Product Series

HBT = High Bay  
Thousand  
Watt

**MH**

### Lamp Type

MP = Metal Halide  
Pulse Start  
MH = Metal Halide  
HP = High Pressure  
Sodium  
ID = Induction

**1000-**

### Lamp Wattage

(MP) 750, 875, 1000  
(MH) 1000  
(HPS) 1000  
(ID) 200

**MT-**

### Voltage

MT = Multi Tap  
120/208/240/277V  
480V = 480V

**AL22-**

### Reflector

AL22 = Aluminum 22"  
AC22 = Acrylic 22"

**L**

### Lamp

L = Lamp  
Included

## OPTIONS

Q – Quartz restrike system with quartz restrike lamp

QT – Quartz restrike system with time delay, with quartz restrike lamp.

3CP-XXX – 3 foot Cord and NEMA Plug, XXX = specify voltage, 120 or 277V

WG22 – Wire Guard 22"

FG22 – Flat Glass 22" with clamp band for mounting. Tempered glass.

F1-XXX or F2-XXX – Single or Double Fuse. XXX = specify voltage.

SC3 – Safety Cable 3'.