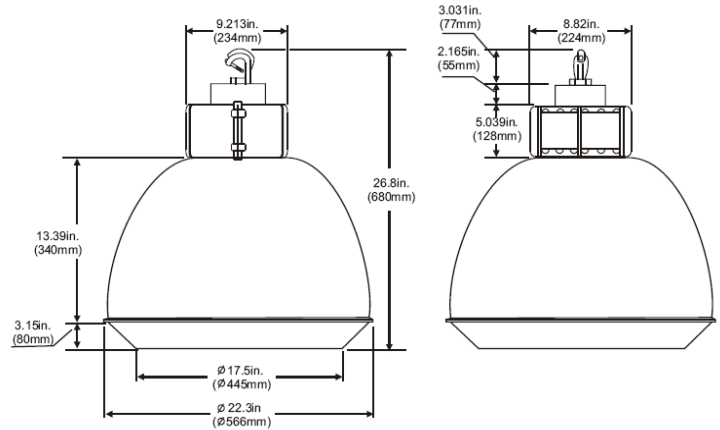




# Lumenform

**LB - Low Bay Acrylic**  
**Metal Halide Pulse Start 200 – 400 W**  
**High Pressure Sodium 150 – 400 W**



## **DESCRIPTION**

The LB with fully acrylic optics is a specification grade product for commercial and industrial lighting where a greater amount of vertical surface illumination is needed. U.L. damp location listed.

## **APPLICATION**

Suitable for use in commercial areas such as grocery stores and retail outlets where product is being merchandised. Can also be used in industrial areas where greater light levels on vertical surfaces is desired.

## **HOUSING**

The housing is made of high pressure die cast aluminum and finished in a white polyester powder coat paint finish for lasting corrosion resistance.

## **BALLAST**

High Power Factor, Constant Wattage Autotransformer ballasts. Multi Tap (120/208/240/277V) or 480V ballasts. Minimum starting temperature is -20°F (-30°C) for MP, -40°F (-40°C) for HPS.

## **SOCKET**

Mogul base, 4KV pulse rated porcelain socket.

## **MOUNTING**

Junction box and hook with safety screw included. 3/4" threaded opening on the top of the junction box for pendant mounting.

## **REFRACTOR**

16" or 22" acrylic refractor with an acrylic drop dish.

## **CATALOG NUMBER LOGIC**

**LB-**

**Product Series**  
LB = Low Bay

**MP**

**Lamp Type**  
MP = Metal Halide  
Pulse Start  
HP = High Pressure  
Sodium

**400-**

**Lamp Wattage**  
(MP) 200, 250, 320, 350, 400  
(HPS) 150, 250, 400

**MT-**

**Voltage**  
MT = Multi Tap  
(120/208/240/277V)  
480V = 480V

**ACDA22-**

**Refractor**  
ACDA16 = Acrylic refractor  
with Drop Acrylic  
dish.  
ACDA22 = 22" version  
(for 400 W)

**L**

**Lamp**  
L = Lamp  
Included

## **OPTIONS**

Q – Quartz restrike system with quartz restrike lamp  
QT – Quartz restrike system with time delay, with quartz restrike lamp.  
3CP-XXX – 3 foot Cord and NEMA Plug, XXX = specify voltage, 120 or 277V  
F1-XXX or F2-XXX – Single or Double Fuse. XXX = specify voltage.  
SC3 – Safety Cable 3'.