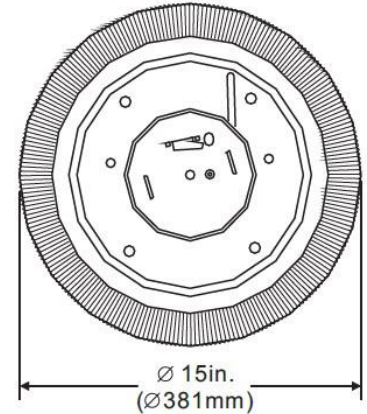
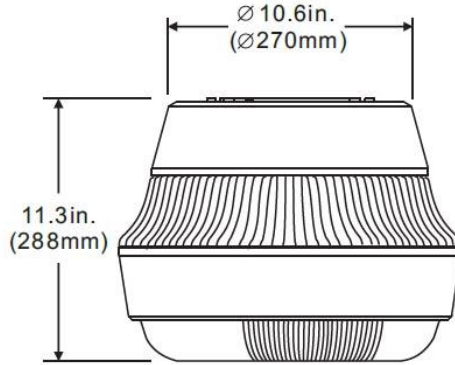




PGL – Parking Garage Luminaire

LED 55 W
 Metal Halide Pulse Start 70 – 150 W
 High Pressure Sodium 70 – 150 W
 Fluorescent Quad Tube 1 x 42 W



DESCRIPTION

The PGL is an architectural grade luminaire for parking garage applications. Available in energy saving LED 55W or HID up to 150W and Fluorescent quad tube 1 x 42W lamps. U.L. listed for wet locations.

APPLICATION

Suited for indoor and covered parking garages and areas under a canopy such as walkways, underpasses and loading docks.

CONSTRUCTION

The housing is made of high pressure die cast aluminum and finished in a white polyester powder coat paint finish for lasting corrosion resistance.

Die formed one piece anodized aluminum reflector for maximizing efficiency. Silicone rubber gaskets for long life. Precision injection molded prismatic acrylic lens. UV stabilized. Upper lens section throws some up light to avoid the "cave effect" in garages.

Contractor friendly Quick Mount System allows fixture to hang while electrical connections are made. Can be surface or pendant mounted.

BALLAST (for MP, HPS and FL)

High Power Factor, Constant Wattage Autotransformer ballasts, Multi Tap (120/208/240/277V) or reactor 120V ballasts for HPS. Minimum starting temperature is -20°F (-30°C) for MP, -40°F (-40°C) for HPS. Electronic ballasts for Fluorescent 1 x 42W in Universal Voltage (120 - 277V).

LED DRIVER

Electronic LED driver in high power factor, universal voltage 120-277V, 50/60Hz. Minimum starting temperature is -20°F (-30°C).

PERFORMANCE – LED SYSTEM

LED Wattage = 55 W
 Total Wattage = 73 W

LED Lumens = 5832 lumens
 Fixture Lumens = 4522 lumens

LED Brand = CREE XTE R2
 LED Quantity = 26

CRI = 75+
 Color Temperature = 4700 K

Input Voltage = 120-277V, 50/60 Hz

Comparable to HID = 175 to 200W

CATALOG NUMBER LOGIC

PGL-

Product Series

PGL = Parking
 Garage
 Luminaire

MP

Lamp Type

LD = LED
 MP = Metal Halide Pulse Start
 HP = High Pressure Sodium
 FL = Fluorescent quad tube

150-

Lamp Wattage

(LED) 55
 (MP) 70, 100, 150
 (HPS) 70, 100, 150
 (FL) 142 = 1 x 42W

MT-

Voltage

MT = Multi Tap
 120/208/240/277V
 UV = Universal Voltage
 120 – 277V
 120V = 120V
 480V = 480V

L

Lamp

L = Lamp
 Included