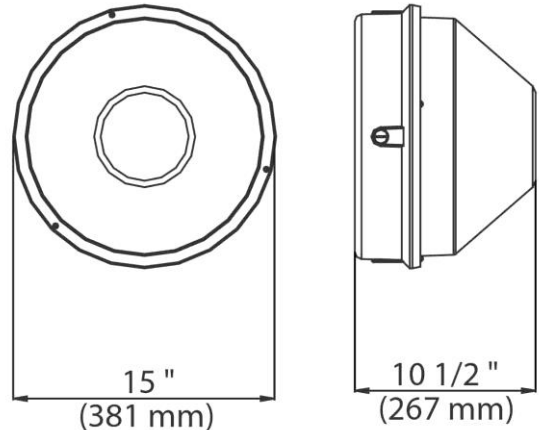




**VGLR - Vandal Resistant
Garage Light Round**
LED 54, 95, 126, 189 W
Metal Halide Pulse Start 70 – 150 W
High Pressure Sodium 70 – 150 W
Fluorescent Quad Tube 2 x 26 - 42 W
Induction 40 - 80 W



DESCRIPTION

The VGLR is a 15" diameter Vandal Resistant Garage Light or Canopy Light in a round shape for up to LED 189W lamps, HID 150W lamps, Fluorescent quad tube 2 x 42W lamps or Induction 80W lamps. Its rugged die cast aluminum housing and tough polycarbonate lens make it ideal for high abuse, vandalism prone areas. U.L. listed for wet locations.

APPLICATION

Suited for public areas such as underpasses, parking garages, cold storage rooms, building perimeters, schools, corridors and stairwells.

CONSTRUCTION

The housing is made of high pressure die cast aluminum and finished in a dark bronze polyester powder coat paint finish for lasting corrosion resistance. The reflector is made from die formed cold rolled steel with a high reflectance white polyester powder coat paint finish. Silicon rubber gasket for long life. The lens is made from tough injection molded polycarbonate for extra impact resistance and is UV stabilized. 1/2" threaded entry hubs with O-ring gaskets on the sides and back for conduit entry.

BALLAST / DRIVER

High Power Factor, Constant Wattage Autotransformer ballasts. Multi Tap (120/208/240/277V) or 480V ballasts. Reactor 120V ballasts for HPS. Minimum starting temperature is -20°F (-30°C) for MP, -40°F (-40°C) for HPS. Universal Voltage (120-277V) electronic drivers for LED and induction.

LED DATA

LED Watts	System Watts	Delivered Lumens	HID Equal
54	63	6,338	250W
95	117	9,305	350W
126	150	12,406	400W
189	206	18,610	750W

CATALOG NUMBER LOGIC

VGLR-

Product Series
VGLR = Vandal Resistant
Garage Light Round

MP

Lamp Type
LD = LED
MP = Metal Halide
Pulse Start
HP = High Pressure
Sodium
FL = Fluorescent
quad tube
ID = Induction

150-

Lamp Wattage
(LED) 54, 95, 126, 189
(MP) 70, 100, 150

(HPS) 70, 100, 150

(FL) 226 = 2 x 26W
232 = 2 x 32W
242 = 2 x 42W
(ID) 40, 80

MT-

Voltage
MT = Multi Tap
120/208/240/277V
UV = Universal Voltage
(120-277 V)
DT = Dual Tap 120/277V
120V = 120V
480V = 480V

L

Lamp
L = Lamp
Included