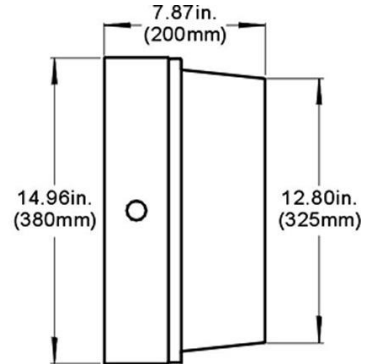
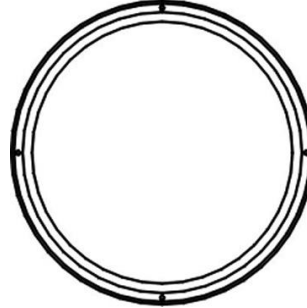




Lumenform

VRC15 - Vandal Resistant Circular 15"

Metal Halide Pulse Start 70 – 150 W
High Pressure Sodium 70 – 150 W
Fluorescent Quad Tube 2 x 26 - 42 W



DESCRIPTION

The VRC15 is a 15" diameter Vandal Resistant Circular fixture for up to HID 150W lamps or Fluorescent quad tube 2 x 42W lamps. Its rugged spun aluminum housing and tough polycarbonate lens make it ideal for high abuse, vandalism prone areas. U.L. listed for wet locations.

APPLICATION

Suited for public areas such as underpasses, parking garages, cold storage rooms, building perimeters, schools, corridors and stairwells.

HOUSING

The housing is made of spun aluminum and finished in a dark bronze polyester powder coat paint finish for lasting corrosion resistance.

BALLAST

High Power Factor, Constant Wattage Autotransformer ballasts, Multi Tap (120/208/240/277V) or reactor 120V ballasts for HPS. Minimum starting temperature is -20°F (-30°C) for MP, -40°F (-40°C) for HPS. Electronic ballasts for Fluorescent 2x26, 32 or 42W in Dual Tap (120/277V).

SOCKET

Medium base, 4KV pulse rated porcelain socket for HID lamps. Positive latching thermoplastic socket for fluorescent lamps.

REFLECTOR

Die formed anodized aluminum reflector for higher efficiency.

GASKET

Silicone rubber for long life.

LENS

Tough injection molded polycarbonate for extra impact resistance. UV stabilized.

CATALOG NUMBER LOGIC

VRC15-

Product Series

VRC15 = Vandal Resistant Circular 15"

MP

Lamp Type

MP = Metal Halide Pulse Start
HP = High Pressure Sodium
FL = Fluorescent quad tube

150-

Lamp Wattage

(MP) 70, 100, 150
(HPS) 70, 100, 150
(FL) 226 = 2 x 26W
232 = 2 x 32W
242 = 2 x 42W

MT-

Voltage

MT = Multi Tap 120/208/240/277V
DT = Dual Tap 120/277V
120V = 120V
480V = 480V

L

Lamp

L = Lamp Included