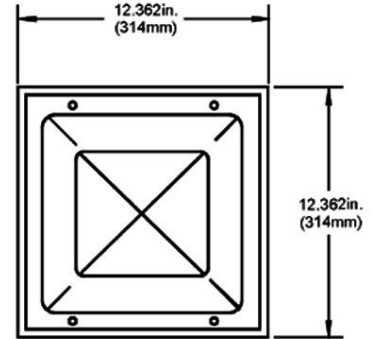
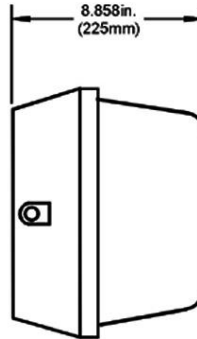




**VSM - Vandal Resistant  
Surface Mount - Medium**  
LED 22, 45, 63, 95 W  
Metal Halide Pulse Start 50 – 150 W  
High Pressure Sodium 35 – 150 W  
Fluorescent Quad Tube 2 x 26 - 42 W  
Induction 40 W



**DESCRIPTION**

The VSM is a 12" x 12" Vandal Resistant Surface Mounting fixture for up to LED 95W lamps, HID 150W lamps, Fluorescent quad tube 2 x 42W lamps or Induction 40W lamps. Its rugged die cast aluminum housing and tough polycarbonate lens make it ideal for high abuse, vandalism prone areas. U.L. listed for wet locations.

**APPLICATION**

Suited for public areas such as underpasses, parking garages, cold storage rooms, building perimeters, schools, corridors and stairwells.

**CONSTRUCTION**

The housing is made of high pressure die cast aluminum and finished in a dark bronze polyester powder coat paint finish for lasting corrosion resistance. The reflector is made of die formed cold rolled steel with a high reflectance white polyester powder coat paint finish. Silicon rubber gasket for long life. The lens is made of tough injection molded polycarbonate for extra impact resistance. UV stabilized.

**BALLAST / DRIVER**

High Power Factor, Constant Wattage Autotransformer ballasts. Multi Tap (120/208/240/277V) or 480V ballasts. Reactor 120V ballasts for HPS. Minimum starting temperature is -20°F (-30°C) for MP, -40°F (-40°C) for HPS. Universal Voltage (120-277V) electronic drivers for LED and induction.

**LED DATA**

LED Watts	System Watts	Delivered Lumens	HID Equal
22	25	2329	100W
45	53	4735	200W
63	77	6203	250W
95	117	9305	350W

Input Voltage = 120-277V, 50/60 Hz

**CATALOG NUMBER LOGIC**

**VSM-**

**Product Series**

VSM = Vandal Resistant Surface Mount Medium

**MP**

**Lamp Type**

LD = LED  
MP = Metal Halide Pulse Start  
HP = High Pressure Sodium  
FL = Fluorescent quad tube  
ID = Induction

**150-**

**Lamp Wattage**

(LED) 22, 45, 63, 95  
(MP) 50, 70, 100, 150  
(HPS) 35, 50, 70, 100, 150  
(FL) 226 = 2 x 26W  
232 = 2 x 32W  
242 = 2 x 42W  
(ID) 40

**MT-**

**Voltage**

MT = Multi Tap  
120/208/240/277V  
UV = Universal Voltage (120-277 V)  
120V = 120V  
480V = 480V

**L**

**Lamp**

L = Lamp Included