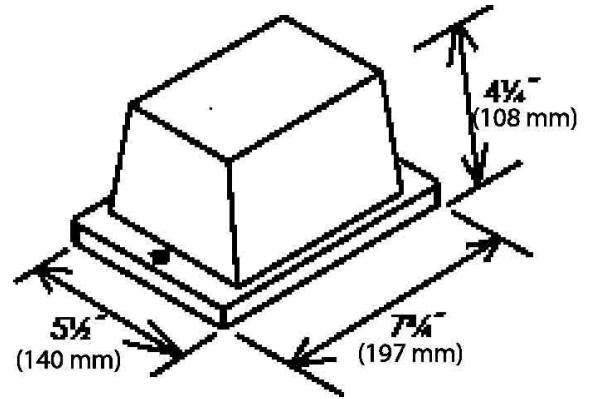




# Lumenform

**VSR - Vandal Resistant  
Surface Mount - Rectangular**  
Fluorescent Twin Tube 1 x 7-13 W  
Incandescent 75 W



### DESCRIPTION

The VSR is a 5" x 8" Vandal Resistant Surface Mounting Rectangular fixture for up to Fluorescent twin tube 1 x 13W, or incandescent lamps up to 75W. Its tough polycarbonate lens makes it ideal for high abuse, vandalism prone areas. U.L. listed for wet locations.

### APPLICATION

Suited for public areas such as underpasses, parking garages, cold storage rooms, building perimeters, schools, corridors and stairwells.

### HOUSING

The back plate is made of steel and finished in a dark bronze polyester powder coat paint finish for lasting corrosion resistance.

### BALLAST

Normal Power Factor, Reactor 120V ballast for fluorescent twin tube 1x7W or 1x13W lamps.

### SOCKET

Medium base porcelain socket for incandescent lamps. Positive latching thermoplastic socket for fluorescent lamps.

### REFLECTOR

Anodized aluminum reflector for high efficiency.

### GASKET

Silicone rubber for long life.

### LENS

Tough injection molded prismatic polycarbonate for extra impact resistance. UV stabilized.

### CATALOG NUMBER LOGIC

**VSR-**

**Product Series**  
VSR = Vandal Resistant  
Surface Mount  
Rectangular

**FL**

**Lamp Type**  
FL = Fluorescent  
twin tube  
IN = Incandescent

**113-**

**Lamp Wattage**  
(FL) 17 = 1 x 7W  
113 = 1 x 13W  
  
(IN) 75W max.

**120V-**

**Voltage**  
120V = 120V

**L**

**Lamp**  
L = Lamp Included  
(for FL version only)