



Lumenform

WAR – Wallpack Architectural Round

Metal Halide Pulse Start 70 – 150 W
High Pressure Sodium 35 – 150 W
Fluorescent Quad Tube 2 x 26 - 42 W
Induction 80 W



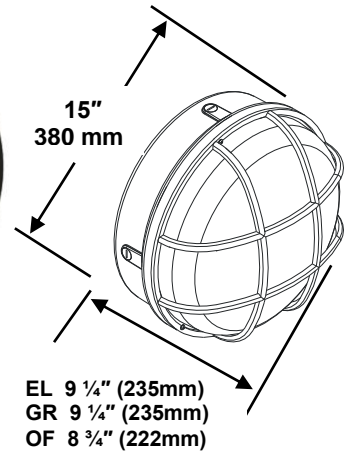
EL
Eyelid



GR
Grid



OF
Open Face



DESCRIPTION

The WAR series of architectural round wallpacks are available in up to HID 150W lamps, Fluorescent quad tube 2 x 42W lamps or Induction 80W lamps.

Available in three front face styles:

EL – Eyelid.

GR - Grid.

OF - Open Face.

U.L. listed for wet locations.

APPLICATION

Ideal for security lighting and entranceway lighting around commercial, industrial and residential buildings where an architectural pleasing product is desired along with the higher light levels possible with HID lamps.

CATALOG NUMBER LOGIC

WAR-

Product Series

WAR = Wallpack
Architectural
Round

MP

Lamp Type

MP = Metal Halide
Pulse Start
HP = High Pressure
Sodium
FL = Fluorescent
quad tube
ID = Induction

150-

Lamp Wattage

(MP) 70, 100, 150
(HPS) 35, 50, 70,
100, 150
(FL) 226 = 2 x 26W
232 = 2 x 32W
242 = 2 x 42W
(ID) 80

MT-

Voltage

MT = Multi Tap
120/208/240/277V
UV = Universal Voltage
120 – 277 V
120V = 120V
480V = 480V

GR

Face Style

EL = Eyelid
GR = Grid
OF = Open Face

L

Lamp

L = Lamp
Included

OPTIONS

PC-XXX – Button Photocell (XXX = specify voltage)
EM – Emergency ballast for FL versions.

Q – Quartz restrike system with quartz lamp.
QT – Quartz restrike system with time delay, with lamp.