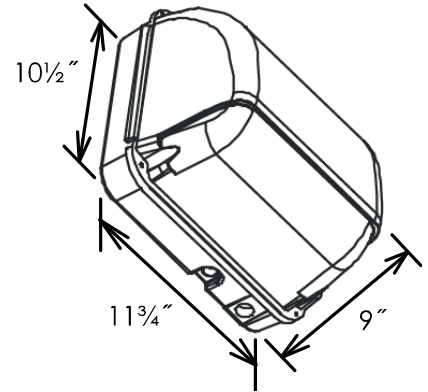




Lumenform

WCC – Wallpack Contoured Cutoff

Metal Halide Pulse Start 50 – 100 W
High Pressure Sodium 35 – 100 W
Fluorescent Quad Tube 1 x 26 - 42 W



DESCRIPTION

The WCC is an architectural grade full cutoff wall pack for up to HID 100W lamps or Fluorescent quad tube 1 x 42W lamps. Fully Dark Sky compliant. U.L. listed for wet locations.

APPLICATION

Ideal for security lighting around commercial, industrial and residential buildings where a combination of the polycarbonate lens, full cutoff optics and architectural looks are desired.

HOUSING

The back housing is made of high pressure die cast aluminum and finished in a dark bronze polyester powder coat paint finish for lasting corrosion resistance. It includes 1/2" threaded openings for conduit entry or photocell mounting.

BALLAST

High Power Factor, Constant Wattage Autotransformer ballasts, Multi Tap (120/208/240/277V) or reactor 120V ballasts for HPS. Minimum starting temperature is -20°F (-30°C) for MP, -40°F (-40°C) for HPS. Electronic ballasts for Fluorescent 1x26, 32 or 42W in Dual Tap (120/277V).

SOCKET

Medium base, 4KV pulse rated porcelain socket for HID lamps. Positive latching thermoplastic socket for fluorescent lamps.

REFLECTOR

Die formed, anodized aluminum.

GASKET

Silicone rubber for long life.

LENS / FRONT HOUSING

Tough injection molded one piece polycarbonate lens/front housing. Bronze top housing section with clear bottom lens.

CATALOG NUMBER LOGIC

WCC-

Product Series
WCC = Wallpack
Contoured
Cutoff

MP

Lamp Type
MP = Metal Halide
Pulse Start
HP = High Pressure
Sodium
FL = Fluorescent
quad tube

100-

Lamp Wattage
(MP) 50, 70, 100
(HPS) 35, 50, 70, 100
(FL) 126 = 1 x 26W
132 = 1 x 32W
142 = 1 x 42W

MT-

Voltage
MT = Multi Tap
120/208/240/277V
DT = Dual Tap 120/277V
120V = 120V
480V = 480V

L

Lamp
L = Lamp
Included

OPTIONS

PC-XXX – Button Photocell (XXX = specify voltage)