



Lumenform

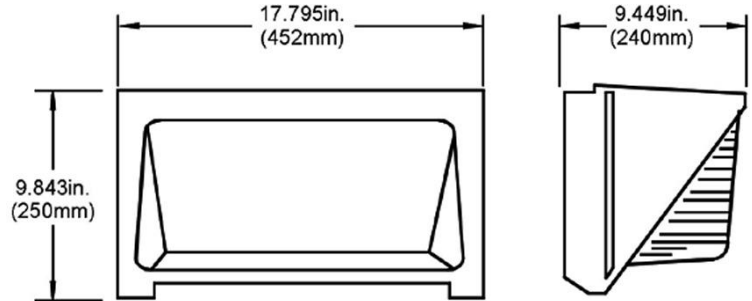
WPM - Wall Pack Medium

LED 90, 135 W

Metal Halide Pulse Start 200 – 250 W

High Pressure Sodium 250 W

Induction 80 - 100 W



DESCRIPTION

The WPM is designed for up to LED 135W lamps, HID 250W lamps or Induction 100W lamps. Its rugged die cast aluminum housing and borosilicate glass lens give it long lasting performance. U.L. listed for wet locations.

APPLICATION

Ideal for security lighting around commercial, industrial and residential buildings where higher mounting heights are available.

CONSTRUCTION

The housing is made of high pressure die cast aluminum and finished in a dark bronze polyester powder coat paint finish for lasting corrosion resistance.

Die formed, anodized aluminum reflector.

Silicon rubber gasket for long life.

Polycarbonate lens for LED versions.

Prismatic borosilicate glass lens for other versions, impact and heat resistant. The door assembly is secured with a stainless steel chain to ensure easy relamping without lens breakage.

LED DATA

Nominal Watts	Delivered Lumens	HID Equal
90	9,527	300W
135	13,705	400W

CRI = 80+

Color Temperature = 5000 K

Input Voltage = 120-277V, 50/60 Hz

BALLAST / DRIVER

Universal Voltage (120-277V) electronic drivers / ballasts for LED. High Power Factor, Constant Wattage Autotransformer ballasts. Multi Tap (120/208/240/277V) or 480V ballasts. Minimum starting temperature is - 20°F (-30°C) for MP, -40°F (-40°C) for HPS.

CATALOG NUMBER LOGIC

WPM-

Product Series

WPM = Wall
Pack
Medium

LD

Lamp Type

LD = LED
MP = Metal Halide
Pulse Start
HP = High Pressure
Sodium
ID = Induction

135-

Lamp Wattage

(LED) 90, 135
(MP) 200, 250
(HPS) 250
(ID) 80, 100

UV

Voltage

MT = Multi Tap
120/208/240/277V
UV = Universal Voltage
120 – 277 V
480V = 480V

T

Lamp

Blank for LED
L = Lamp
Included
(MP, HP, & ID)

OPTIONS

WPL-WG – Wire Guard for WPM or WPL fixture.

WPL-GS – Glare Shield for WPM or WPL fixture.

WPL-VS – Vandal Shield for WPM or WPL fixture.

PC-XXX – Button Photocell (XXX = specify voltage).