



Lumenform

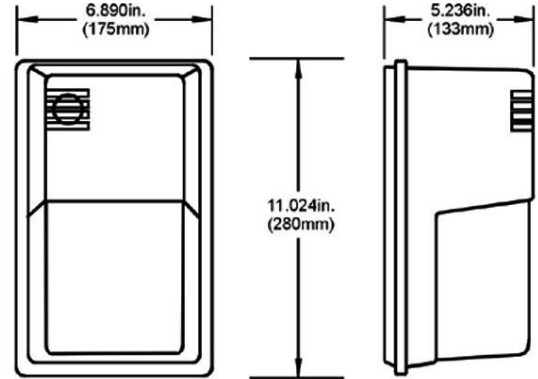
WPR - Wall Pack Rectangular

LED 13, 32 W

Metal Halide Pulse Start 50 – 100 W

High Pressure Sodium 35 – 70 W

Fluorescent Quad Tube 1x13, 2x13, 1x26 - 42 W



DESCRIPTION

The WPR is an economical and compact low wattage security light. Its integrated photocell allows the unit to turn on automatically at dusk and turn off at dawn. U.L. listed for wet locations.

APPLICATION

Ideal for security lighting around commercial, industrial and residential buildings where lower mounting heights are available. Ideal as an automatically operating security light.

BACK PLATE

The housing's back plate is made of high pressure die cast aluminum. The back plate is designed for mounting over an outlet box. A bottom threaded conduit entry hub is also provided for surface conduit wiring.

BALLAST / DRIVER

Normal Power Factor, Reactor ballasts for HPS in 120V. Reactor ballasts for Fluorescent 1x13 or 2x13W. Electronic ballasts for Fluorescent 1x26, 32 or 42W in 120V. Universal Voltage (120-277V) electronic drivers for LED. 120V only when photocell is incorporated.

REFLECTOR

Aluminum.

GASKET

Silicone rubber for long life.

HOUSING & LENS

For LED and HPS, an injection molded polycarbonate housing mounts onto the back plate with two captive screws. Injection molded prismatic lens, UV stabilized. MP 50 -100 W, FL 1x42W and LED versions come with a die cast aluminum housing and a glass lens.

PHOTOCELL

Integrated photocell for automatic operation.

LED DATA

LED Watts	System Watts	Delivered Lumens	HID Equal
13	14	1,054	70W
32	38	3,101	150W

CRI = 70

Color Temperature = 5700 K

Input Voltage = 120-277V, 50/60 Hz

CATALOG NUMBER LOGIC

WPR-

Product Series

WPR = Wall Pack Rectangular

HP

Lamp Type

LD = LED
MP = Metal Halide Pulse Start
HP = High Pressure Sodium
FL = Fluorescent twin tube or quad tube

70-

Lamp Wattage

(LD) 13, 32
(MP) 50, 70, 100
(HPS) 35, 50, 70
(FL) 113 = 1 x 13W
213 = 2 x 13W
126 = 1 x 26W
132 = 1 x 32W
142 = 1 x 42W

120V-

Voltage

120V = 120V
MT = Multi Tap 120/208/240/277V
UV = Universal Voltage 120 - 277 V

PC-

Photocell

PC = Photocell

L

Lamp

L = Lamp Included