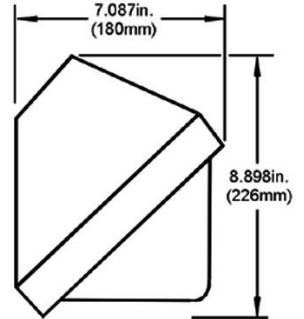
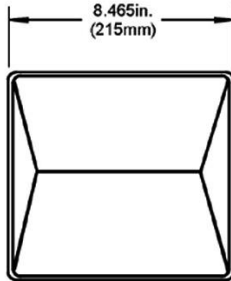




Lumenform

WPW - Wall Pack Wedge

LED 23, 32, 63 W
Metal Halide Pulse Start 50 – 100 W
High Pressure Sodium 35 – 100 W
Fluorescent Quad Tube 1x26 - 42 W



DESCRIPTION

The WPW is a compact low wattage wall pack designed for up to LED 63W lamps, HID 100W lamps or 1 x 42W quad tube fluorescent lamps. Its prismatic polycarbonate or glass lens hides the lamp image making this product suitable for lower mounting heights. U.L. listed for wet locations.

APPLICATION

Ideal for security lighting around commercial, industrial and residential buildings where lower mounting heights are available. Can be used in entranceways, walkways and for perimeter lighting around buildings.

CONSTRUCTION

The housing is made of high pressure die cast aluminum and finished in a dark bronze polyester powder coat paint finish for lasting corrosion resistance. Die formed, anodized aluminum reflector. Silicon rubber gasket for long life. Borosilicate glass lens for LED and MP 100W version. Prismatic polycarbonate refractor for HPS provides uniform distribution at low mounting heights.

BALLAST / DRIVER

Normal Power Factor, Reactor ballasts for HPS in 120V. Reactor ballasts for Fluorescent 1x13 or 2x13W. Electronic ballasts for Fluorescent 1x26, 32 or 42W in 120V. Universal Voltage (120-277V) electronic drivers for LED.

MOUNTING

Knockout pattern provided on back casting for mounting to junction boxes. Three 1/2" threaded entry hubs provided for top or side conduit wiring and through wiring.

LED DATA

LED Watts	System Watts	Delivered Lumens	HID Equal
23	28	2,578	100W
32	38	3,325	150W
63	77	6,645	250W

CRI = 70

Color Temperature = 5700 K

Input Voltage = 120-277V, 50/60 Hz

CATALOG NUMBER LOGIC

WPW-

Product Series
WPW = Wall Pack Wedge

HP

Lamp Type
LD = LED
MP = Metal Halide Pulse Start
HP = High Pressure Sodium
FL = Fluorescent quad tube

100-

Lamp Wattage
(LD) 23, 32, 63
(MP) 50, 70, 100

(HPS) 35, 50, 70, 100

(FL) 126 = 1 x 26W
132 = 1 x 32W
142 = 1 x 42W

120V-

Voltage
MT = Multi Tap
120/208/240/277V
120V = 120V
UV = Universal Voltage
120 – 277 V

L

Lamp
L = Lamp Included

OPTIONS

WPW-WG – Wire Guard for WPW fixture.
WPW-GS – Glare Shield for WPW fixture.
PC-XXX – Button Photocell (XXX = specify voltage).