



Lumenform

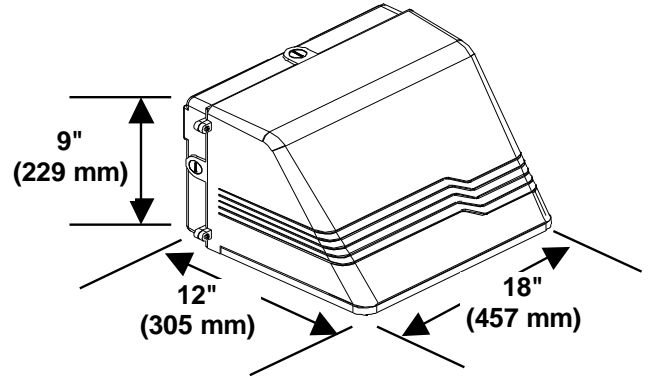
WTZL - Wall pack Trapezoid Large

LED 90, 135 W

Metal Halide Pulse Start 200 - 400 W

High Pressure Sodium 250 - 400 W

Induction 80 - 100 W



DESCRIPTION

The WTZL is an architectural grade full cutoff wall pack for up to LED 135W lamps, HID 400W lamps or Induction 100W lamps. Fully Dark Sky compliant. U.L. listed for wet locations.

APPLICATION

Ideal for security lighting around commercial, industrial and residential buildings where limiting glare and light trespass are important while maintaining an aesthetically appealing dayform appearance.

CONSTRUCTION

The housing is made of high pressure die cast aluminum and finished in a dark bronze polyester powder coat paint finish for lasting corrosion resistance. Die formed, anodized aluminum reflector. Silicon rubber gasket for long life. LED versions – vandal resistant polycarbonate lens. MP, HP and ID versions - Clear tempered glass lens, impact and heat resistant.

BALLAST / DRIVER

Universal Voltage (120-277V) electronic drivers for LED. High Power Factor, Constant Wattage Autotransformer ballasts. Multi Tap (120/208/240/277V) or 480V ballasts for HID. Minimum starting temperature is -20°F (-30°C) for MP, -40°F (-40°C) for HPS.

MOUNTING

Knockout pattern provided on back casting for mounting to junction boxes. Three 1/2" threaded entry hubs provided for top or side conduit wiring and through wiring.

LED DATA

Nominal Watts	Delivered Lumens	HID Equal
90	9,378	350W
135	13,604	400W

CRI = 80+
Color Temperature = 5000 K
Input Voltage = 120-277V, 50/60 Hz

CATALOG NUMBER LOGIC

WTZL-

Product Series
WTZL = Wall pack
Trapezoid
Large

LD

Lamp Type
LD = LED
MP = Metal Halide
Pulse Start
HP = High Pressure
Sodium
ID = Induction

135-

Lamp Wattage
(LED) 90, 135
(MP) 200, 250, 320, 350, 400
(HPS) 250, 400
(ID) 80, 100

UV-

Voltage
UV = Universal Voltage
120 - 277 V
MT = Multi Tap
120/208/240/277V
480V = 480V

T

Lamp
Blank for LED
L = Lamp
Included
(MP, HP & ID)