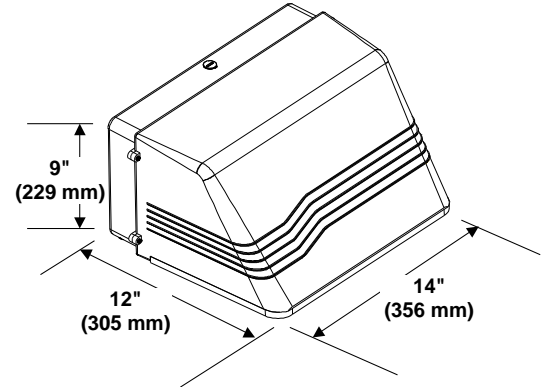




WTZS – Wall pack Trapezoid Small

LED 30, 45, 70 W
Metal Halide Pulse Start 50 – 150 W
High Pressure Sodium 35 – 150 W
Fluorescent Quad Tube 2 x 26 - 42 W



DESCRIPTION

The WTZS is an architectural grade full cutoff wall pack for up to LED 70W lamps, HID 150W lamps or Fluorescent quad tube 2 x 42W lamps. Fully Dark Sky compliant. U.L. listed for wet locations.

APPLICATION

Ideal for security lighting around commercial, industrial and residential buildings where limiting glare and light trespass are important while maintaining an aesthetically appealing dayform appearance.

CONSTRUCTION

The housing is made of high pressure die cast aluminum and finished in a dark bronze polyester powder coat paint finish for lasting corrosion resistance. Die formed, anodized aluminum reflector. Silicon rubber gasket for long life. LED versions – vandal resistant polycarbonate lens. MP, HP and FL versions - Clear tempered glass lens, impact and heat resistant.

BALLAST / DRIVER

Universal Voltage (120-277V) electronic drivers / ballasts for LED and compact fluorescent. High Power Factor, Constant Wattage Autotransformer ballasts. Multi Tap (120/208/240/277V) or 480V ballasts. Reactor 120V ballasts for HPS. Minimum starting temperature is -20°F (-30°C) for MP, -40°F (-40°C) for HPS.

MOUNTING

Knockout pattern provided on back casting for mounting to junction boxes. Three 1/2" threaded entry hubs provided for top or side conduit wiring and through wiring.

LED DATA

| Nominal Watts | Delivered Lumens | HID Equal |
|---------------|------------------|-----------|
| 30 | 3,400 | 150W |
| 45 | 4,846 | 200W |
| 70 | 7,327 | 250W+ |

CRI = 80+
Color Temperature = 5000 K
Input Voltage = 120-277V, 50/60 Hz

CATALOG NUMBER LOGIC

WTZS-

Product Series
WTZS = Wall pack Trapezoid Small

LD

Lamp Type
LD = LED
MP = Metal Halide Pulse Start
HP = High Pressure Sodium
FL = Fluorescent quad tube

70-

Lamp Wattage
(LED) 30, 45, 70
(MP) 50, 70, 100, 150
(HPS) 35, 50, 70, 100, 150
(FL) 226 = 2 x 26W
232 = 2 x 32W
242 = 2 x 42W

UV-

Voltage
UV = Universal Voltage 120 – 277 V
MT = Multi Tap 120/208/240/277V
120V = 120V
480V = 480V

T

Lamp
Blank for LED
L = Lamp Included (MP, HP & FL)

OPTIONS

EM – Emergency ballast for FL versions.