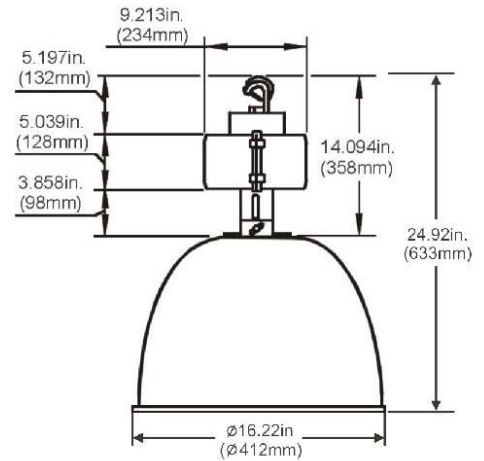
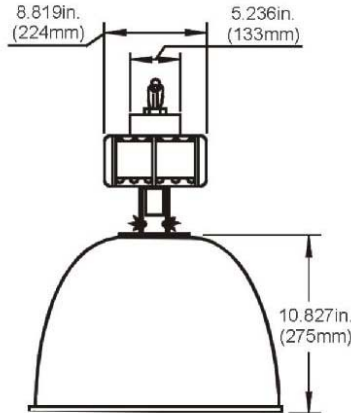




HB - High Bay Acrylic Refractor
Metal Halide Pulse Start 200 – 400 W
Metal Halide 400 W
High Pressure Sodium 150 – 400 W
Induction 80 W



DESCRIPTION

The HB with an Acrylic Refractor is a photometrically superior High Bay for commercial and industrial areas requiring high levels of vertical illumination. U.L. damp location listed.

APPLICATION

Ideal for supermarkets, warehouse stores, auto showrooms and any retail outlet with mounting heights of 20' (6 m) or more.

HOUSING

The housing is made of high pressure die cast aluminum and finished in a white polyester powder coat paint finish for lasting corrosion resistance.

BALLAST

High Power Factor, Constant Wattage Autotransformer ballasts. Multi Tap (120/208/240/277V) or 480V ballasts. Minimum starting temperature is -20°F (-30°C) for MP and MH, -40°F (-40°C) for HPS.

SOCKET

Mogul base, 4KV pulse rated porcelain socket.

MOUNTING

Junction box and hook with safety screw included. 3/4" threaded opening on the top of the junction box for pendant mounting.

REFRACTOR

16" or 22" prismatic acrylic. Adjustable positions for choice of distribution patterns.

CATALOG NUMBER LOGIC

HB-

Product Series
 HB = High Bay

MP

Lamp Type
 MP = Metal Halide Pulse Start
 MH = Metal Halide
 HP = High Pressure Sodium
 ID = Induction

400-

Lamp Wattage
 (MP) 200, 250, 320, 350, 400
 (MH) 400
 (HPS) 150, 250, 400
 (ID) 80

MT-

Voltage
 MT = Multi Tap
 (120/208/240/277V)
 120V = 120V
 277V = 277V
 480V = 480V

AC16-

Reflector
 AC16 = Acrylic 16"
 AC22 = Acrylic 22"

L

Lamp
 L = Lamp Included

OPTIONS

Q – Quartz restrike system with quartz restrike lamp
 QT – Quartz restrike system with time delay, with quartz restrike lamp.
 3CP-XXX – 3 foot Cord and NEMA Plug, XXX = specify voltage, 120 or 277V
 WG16 or WG22 – Wire Guard 16" or 22"
 FG16 or FG22 – Flat Glass 16" or 22" with clamp band for mounting. Tempered glass.
 F1-XXX or F2-XXX – Single or Double Fuse. XXX = specify voltage.
 SC3 – Safety Cable 3'.